



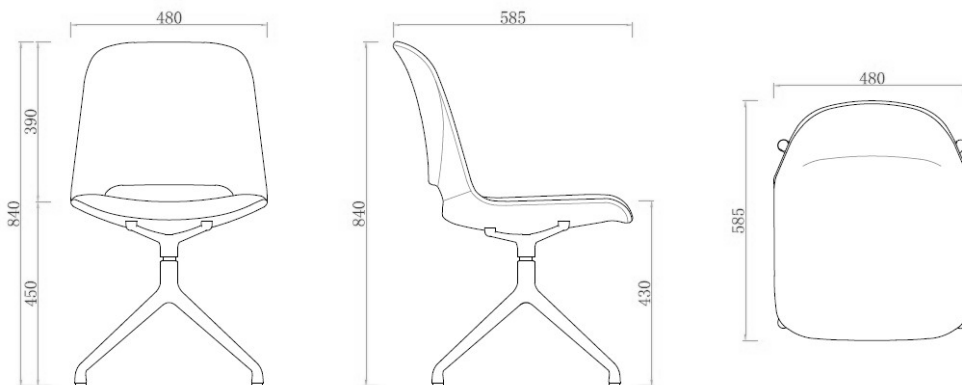
**ABAX
KINGFISHER**



VI
PRODUCT DATA SPECIFICATION

Vi Chair - 4 Star Swivel

Description			
DIMENSIONS	<p>Overall Dimensions: 480mmW x 585mmD x 840mmH</p> <p>Seat Height: 450mm</p>		
MATERIALS & CONSTRUCTION	<p>The shell is constructed from a steel frame, injected with foam, and finished in high-quality upholstery.</p> <p>The frame is constructed from aluminium with castors</p>		
ADJUSTMENT	N/A		
FEATURES	<p>The inclusion of castors enhances the chair's mobility, allowing smooth movement and positioning</p> <p>Ergonomic design and foam filling offer optimal comfort, making it suitable for extended periods of use</p> <p>Versatile swivel feature facilitates easy rotation and adjustment, enhancing convenience</p> <p>Designed for offices, lounges, meeting rooms, and more, providing a blend of comfort and style</p> <p>The chair's construction materials and finishes are chosen to ensure durability and visual appeal</p>		
WARRANTY	10 Years		
LEAD TIME	12 - 14 Weeks		
FINISH	<table border="0"> <tr> <td> <p>Shell Upholstery Colour</p> <p>DR5 Fabric Range</p> <p>DA Fabric Range</p> <p>DTTM Fabric Range</p> <p>DVB Fabric Range</p> </td> <td> <p>OTE Vico Fabric Range</p> <p>Sunday Fabric Range</p> <p>Palace PU Leather Range</p> <p>Frame Finish</p> <p>Aluminium Alloy</p> </td> </tr> </table>	<p>Shell Upholstery Colour</p> <p>DR5 Fabric Range</p> <p>DA Fabric Range</p> <p>DTTM Fabric Range</p> <p>DVB Fabric Range</p>	<p>OTE Vico Fabric Range</p> <p>Sunday Fabric Range</p> <p>Palace PU Leather Range</p> <p>Frame Finish</p> <p>Aluminium Alloy</p>
<p>Shell Upholstery Colour</p> <p>DR5 Fabric Range</p> <p>DA Fabric Range</p> <p>DTTM Fabric Range</p> <p>DVB Fabric Range</p>	<p>OTE Vico Fabric Range</p> <p>Sunday Fabric Range</p> <p>Palace PU Leather Range</p> <p>Frame Finish</p> <p>Aluminium Alloy</p>		



Due to constant innovation, products may be subject to design and specification changes without notice. Copyright © 2024