



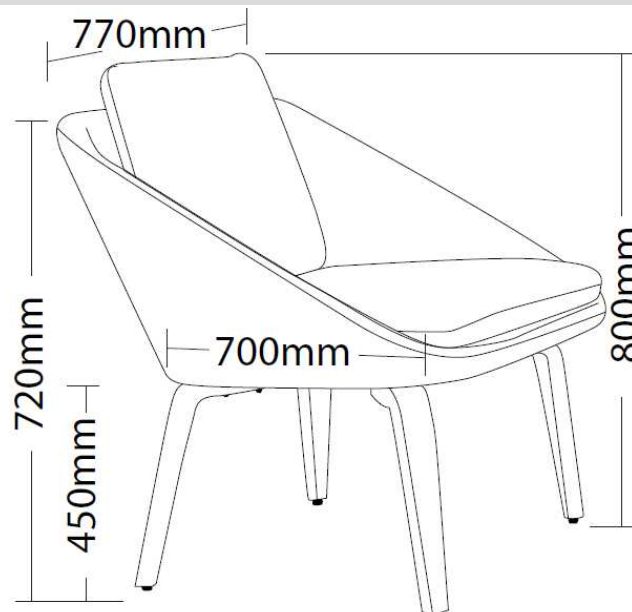
**ABAX
KINGFISHER**



OPERA
PRODUCT DATA SPECIFICATION

Opera Timber Base Chair

| Description | |
|-------------------------------------|------------------------------------------------------------------------------------------------------|
| DIMENSIONS / FABRIC METERAGE | Overall Dimensions: 770mmW x 700mmD x 800mmH Seat Height: 450mmH Fabric Meterage: 4.8m |
| MATERIALS & CONSTRUCTION | Moulded foam Loose back and seat cushions High-density foam Heavy-duty timber frame |
| ADJUSTMENT | N/A |
| FEATURES | Removable cushions for easy cleaning Solid Timber frame Recommended weight capacity: 120kg |
| WARRANTY | 10 years |
| LEAD TIME | 35 Working days |
| FINISH | Shell House Colours Abax Kingfisher Standard Upholstery range Frame Chrome |
| CUSTOMISABLE | Custom upholstery available on request - Additional lead times & costs apply |
| ACCESSORIES | N/A |



Hula – House, Jazz Range



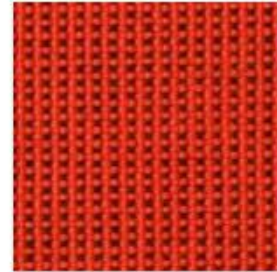
Jazz Apple



Jazz Black



Jazz Charcoal



Jazz Crimson



Jazz Gold



Jazz Indigo



Jazz Midnight



Jazz Navy



Jazz Orange



Jazz Silver



Jazz Turquoise

Hula – House, Loop Range



Loop Aqua



Loop Dust



Loop Hot



Loop Lime



Loop Mist



Loop Red



Loop Sea



Loop Tree

Hula – House, Metro Range



Metro Black



Metro Ink