



**ABAX
KINGFISHER**



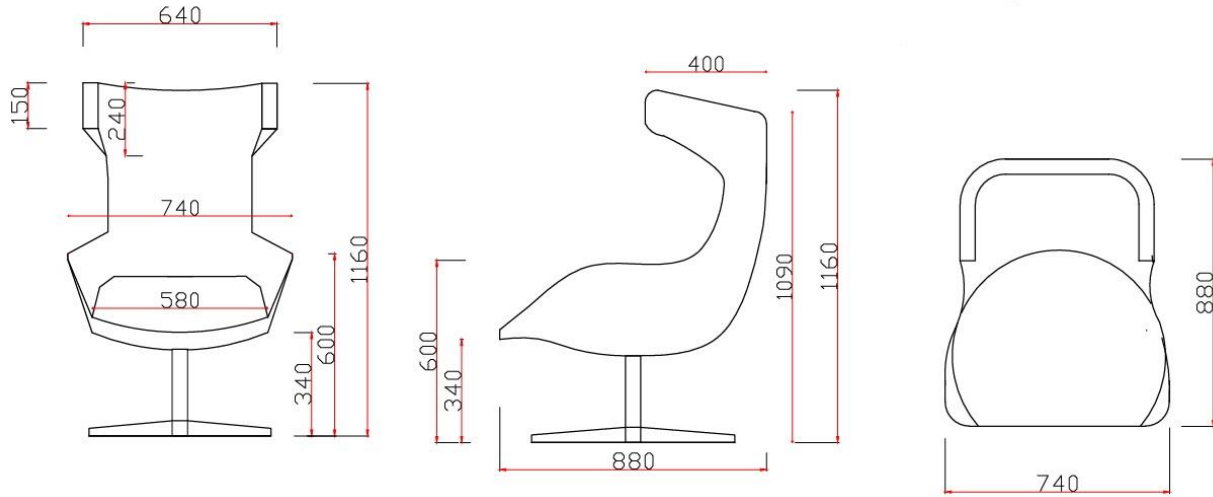
NOVA
PRODUCT DATA SPECIFICATION

Nova Chair

Description	
DIMENSIONS	<p>Overall Dimensions: 740mmW x 880mmD x 1160mmH</p> <p>Seat Height: 340mm</p>
MATERIALS & CONSTRUCTION	<p>The shell is constructed from fiberglass frame with high density foam and finished in high-quality upholstery</p> <p>The frame is constructed from steel</p>
ADJUSTMENT	N/A
FEATURES	<p>Premium upholstery enhances elegance and durability</p> <p>Ergonomic design supports proper posture</p> <p>Ideal for breakout rooms, libraries, and offices</p> <p>Sturdy steel frame provides excellent stability</p> <p>Smooth upholstery finish ensures a sleek appearance</p> <p>Blends seamlessly into modern and professional settings</p>
WARRANTY	10 Years
LEAD TIME	98 Days
FINISH	<p><u>Shell Upholstery Colour</u></p> <p>OTE Sunday Fabric Range</p> <p>OTE Vico Fabric Range</p> <p>DVB Fabric Range</p> <p>DTTM Series</p> <p>DR51602 Series</p> <p>DA Series</p> <p>PU Leather Range</p> <p><u>Frame Finish</u></p> <p>Black</p>
CUSTOMISABLE	N/A
ACCESSORIES	N/A
CERTIFICATION	N/A

Due to constant innovation, products may be subject to design and specification changes without notice. Copyright © 2025

Drawing



Due to constant innovation, products may be subject to design and specification changes without notice. Copyright © 2025