




**ABAX  
KINGFISHER**

**Library Shelving**  
PRODUCT DATA SPECIFICATION

# Kingfisher™ Library Shelving

Description	
<b>MATERIALS</b>	<ul style="list-style-type: none"> <li>Folded and Welded Metal, powder-coated</li> </ul>
<b>FEATURES</b>	<ul style="list-style-type: none"> <li>No Bolts System</li> <li>Australian Design Awards</li> <li>Individual shelf adjustment</li> <li>Rounded shelf corners for reduction of book damage</li> <li>Large adjustable feet</li> <li>Huge range of colours, and shelf variations.</li> <li>50KG Uniformly Distributed Load Weight Rating PER SHELF</li> </ul>
<b>WARRANTY</b>	<ul style="list-style-type: none"> <li>25 Years</li> </ul>
<b>LEAD TIME</b>	<ul style="list-style-type: none"> <li>4 – 6 Weeks</li> </ul>
<b>CUSTOMISABLE</b>	<ul style="list-style-type: none"> <li>Yes</li> </ul> <p>Custom Widths and heights are available where needed. (Longer lead times may apply to custom sizes).</p>
<b>CERTIFICATIONS</b>	<div style="text-align: center;">  </div> <ul style="list-style-type: none"> <li>GECA Certified</li> </ul>

# Terminology

Term	Description
<b>Bay</b>	A single unit of library shelving.
<b>Run</b>	A length of connected bays that cannot be separated.
<b>Single Sided Bay/Run</b>	A run or bay of shelving that has shelves on only one side. In other words, not double sided.
<b>Double Sided Bay/Run</b>	A run or bay of shelving that has shelves on both sides of the post. In other words, not single sided
<b>Mobile Shelving</b>	Kingfisher™ Library shelving that can be relocated within a space via the use of castors. Allows for shelving to be moved by 1 or 2 people without the need to unload the books.
<b>Castors</b>	Heavy duty wheels that are attached to Kingfisher™ Library Shelving to create mobile bays or runs.
<b>Joiner</b>	Used to connect posts to create a bay or run of Kingfisher™ Library Shelving
<b>Post</b>	Upright beams used to create bays or runs of library shelving. Double sided post is shaped like a T and single sided posts are shaped like an L.
<b>Shelf</b>	Used to hold books and media on Kingfisher Library Shelving. Large range of variations available.
<b>Shelf Support</b>	Used to secure the shelf to the post. Generally consists of a Left Hand and Right Hand pair.
<b>End Panel</b>	Melamine, Veneer, Metal or Perspex Panel the is attached to the outside end of a bay or run of Kingfisher™ Library Shelving. Used to create a finished look to library shelving.
<b>Canopy</b>	Melamine, Veneer, Metal or Perspex Panel the is attached to the top of a bay or run of Kingfisher™ Library Shelving. Used to create a finished look to library shelving.
<b>Dust Cover</b>	See Canopy

## Post Specifications

### Posts

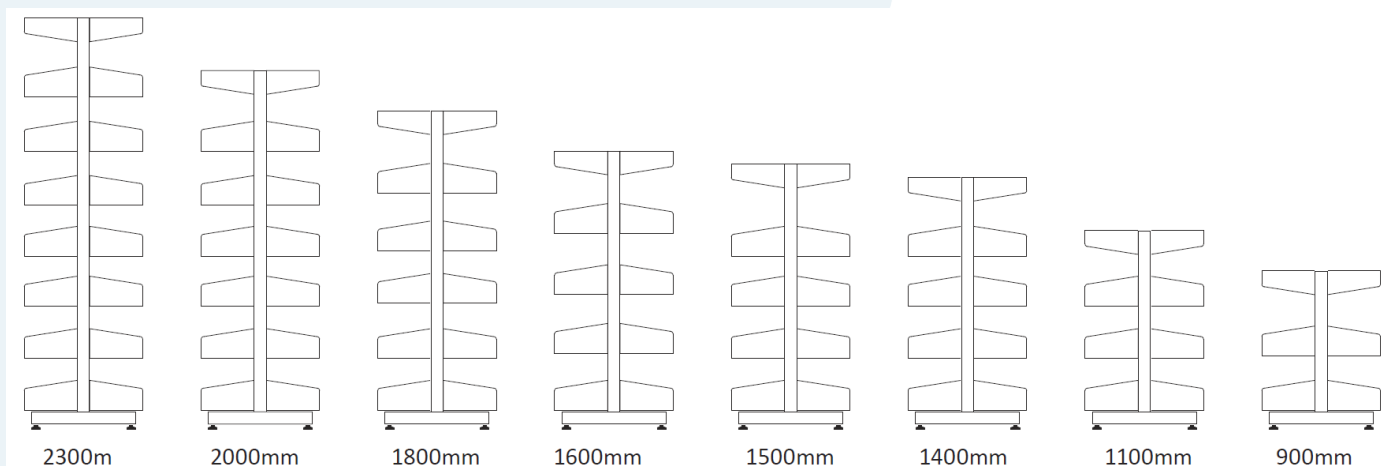
There are 2 types of post – single sided and double sided. As standard, posts come fitted with adjustable feet.

- Single sided post looks like an L shape
- Double sided post looks like an upside down T
- Slots are 25.4mm apart (pitch)
- 2 x horizontal joiners attach to hold posts together
- Joiners attach with 6 lugs per post (2 rows of 3 lugs) providing the most rigid system on the market
- Post wall thickness is 2.35mm – again providing high rigidity
- Kingfisher shelving is a boltless system – providing ease of assemble and relocation.
- \*\*Note – there are selected accessories that have nuts and bolts but the main system is boltless\*\*
  
- Castors can be fitted to double sided posts instead of adjustable feet to make units mobile.
  - As a general rule runs are limited to one or two bays when mobile. This allows the units to be moved whilst they are still loaded, longer mobile runs can be provided but the unit would need the books removed prior to moving.
  - Lockable castors are fitted as standard (one or two per run) to lock bays in place
  - If required, castors can be fitted internally so that they swivel inside the footprint of the unit.
  - Height of post increases by 140mm overall.

When fitting castors, bays must be double sided and a maximum of 1600mm high.

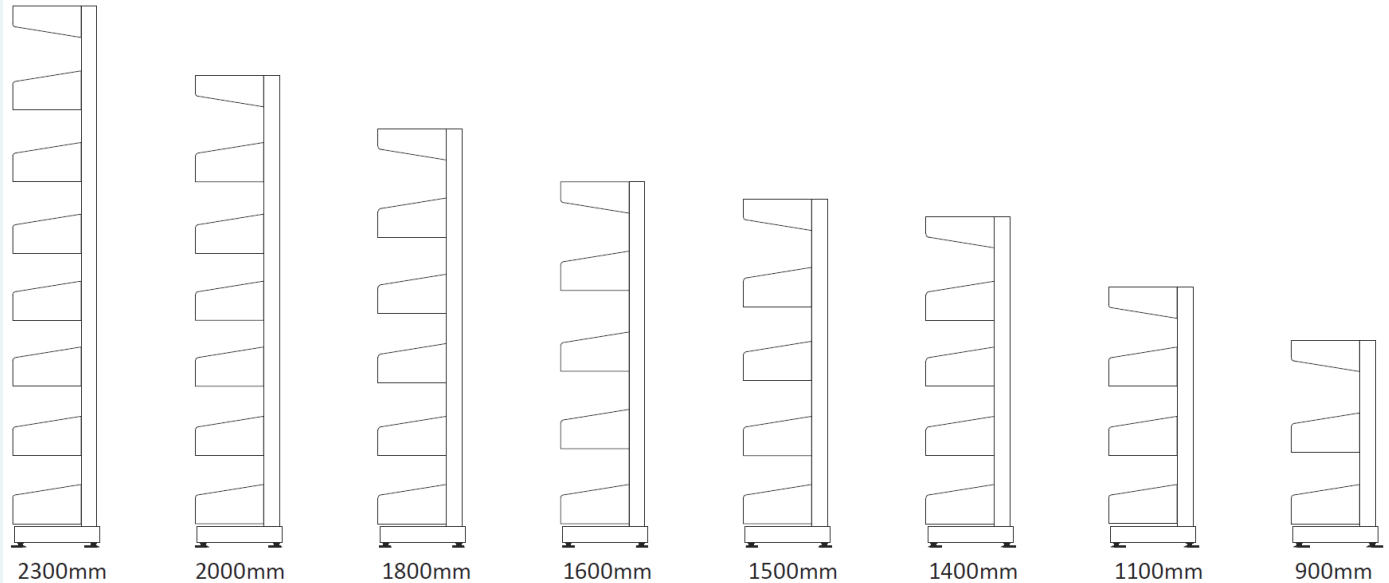
<b>Single Sided Post Width</b>	<b>375mm</b>
<b>Double Sided Post Width</b>	<b>590mm</b>

## Double Sided Post Height Variations



**900, 1100, 1400, 1500 & 1600mmH bays can be made as mobile bays this will increase the overall height of the shelving by 140mm**

## Single Sided Post Height Variations

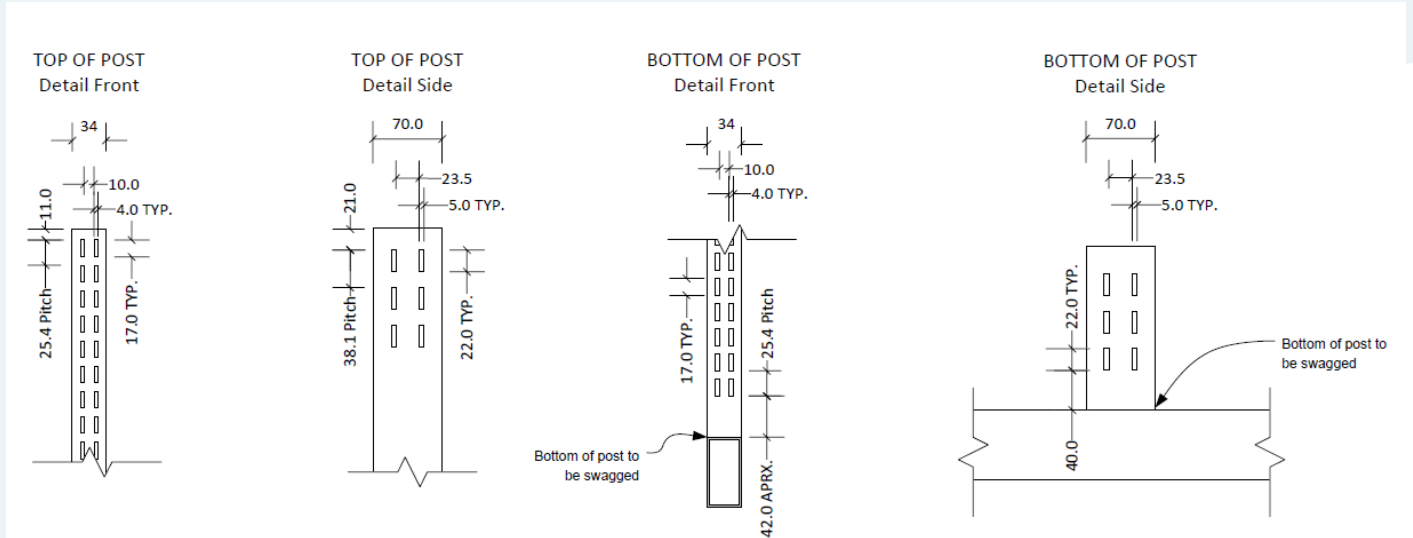


Single sided library shelving cannot be mobile due to stability issues.

## Shelf Levels Per Bay Guide

Nominal Post Height	Actual Height	Shelf Levels	Clear Opening	Shelf Levels	Clear Opening	Shelf Levels	Clear Opening
<b>2300mm</b>	2355mm	5	410mm	6	300mm	7	4@310mm 2@285mm
<b>2100mm*</b>	2125mm*	5	390mm	6	5@310mm 1@250mm	7	4@310mm 3@220mm
<b>2000mm</b>	2050mm	5	360mm	6	4@310mm 2@285mm	7	6@255mm 1@ 220mm
<b>1800mm</b>	1820mm			4	385mm	5	310mm
<b>1600mm</b>	1590mm			4	330mm	5	2@285mm 3@255mm
<b>1500mm</b>	1515mm			3	450mm	4	3@330mm 1@ 285mm
<b>1400mm</b>	1440mm			3	410mm	4	310mm
<b>1100mm</b>	1135mm			2	460mm	3	310mm
<b>900mm</b>	905mm					2	355mm

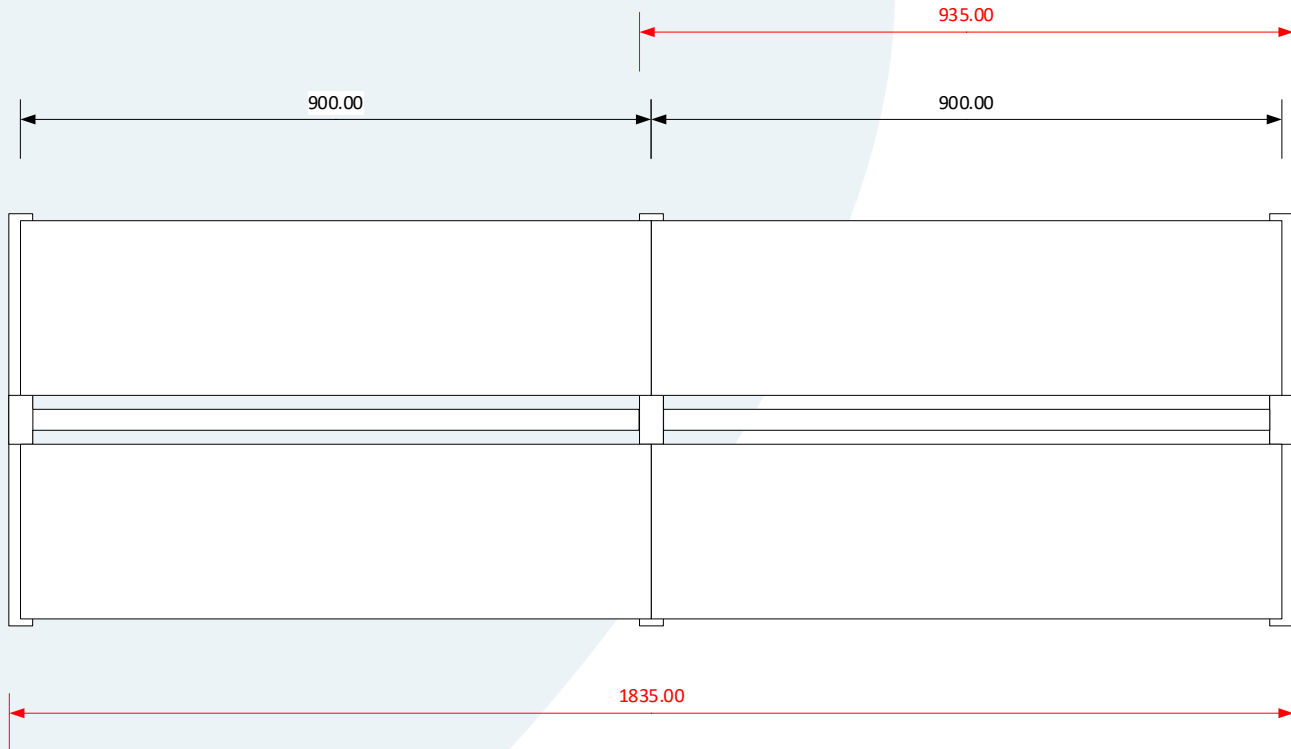
## Post Slot Detail



## Standard Bay Widths

Standard bay width is 900mm (nominal). Allow 35mm per run (excluding end panels) for actual length

- Bays are also available as standard at 600mm wide
- Custom bays from 600 to 1200mm are also available
- Usable shelf real estate is 880mm





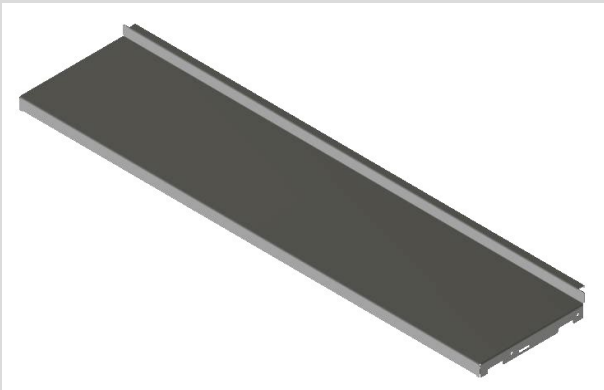
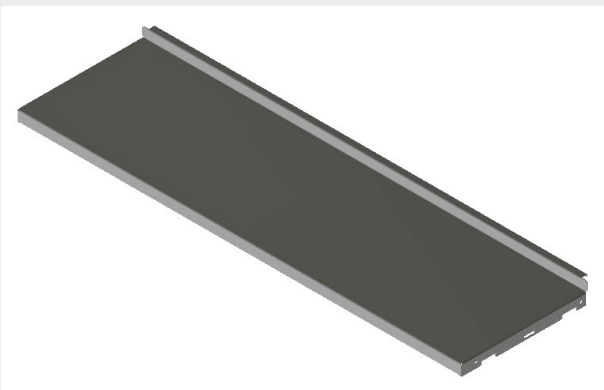
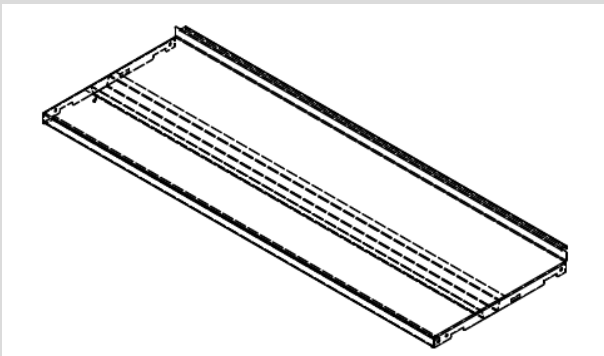
## End Panels & Canopies

Standard Depths SS & DS

When to use 685 v 600 on double sided post.



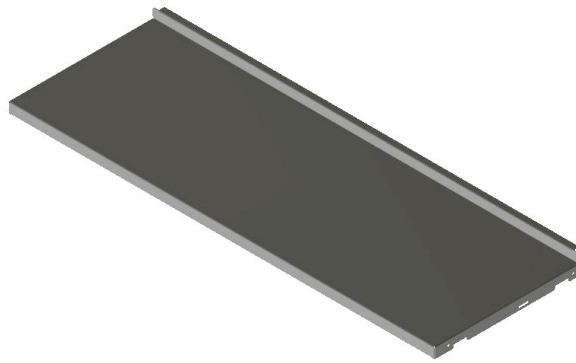
## Shelf Types

Shelf Type	Image	Description
900mmW x 200mmD Flat Shelf		900mmW x 200mmD
900mmW x 250mmD Flat Shelf		900mmW x 250mm D
900mmW x 300mmD Flat Shelf		



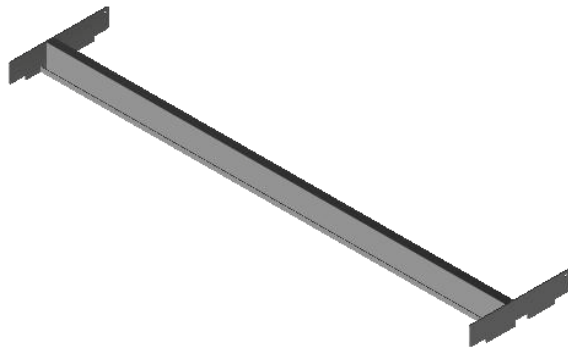


**900mmW x 300mmD  
Flat Shelf with Shelf  
Stiffener**



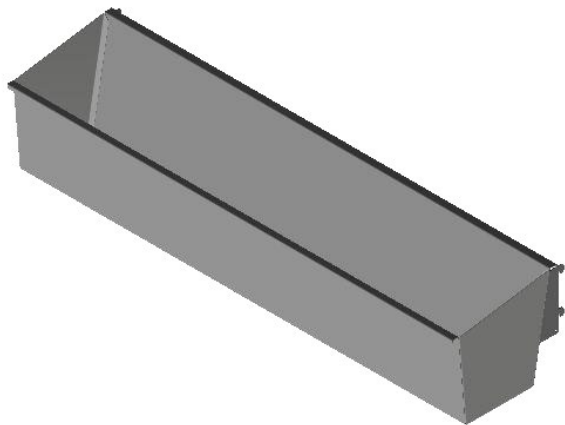
600mmD shelves

**PolyBag Rail**



900mmW with lip to  
accommodate

**Standard Book Bin**

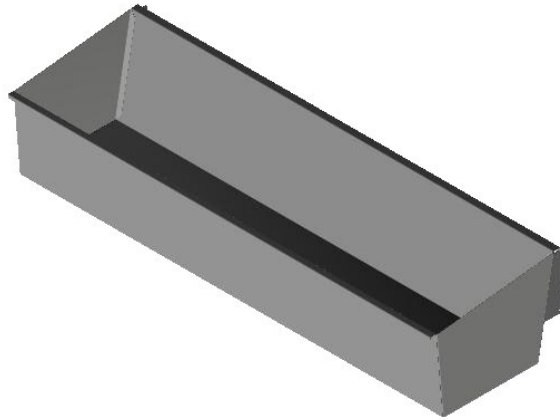


900mmW x 160mmH  
x 190mmD (at top) x  
130mm (at base).

Available with an  
acrylic front instead  
of a metal front.



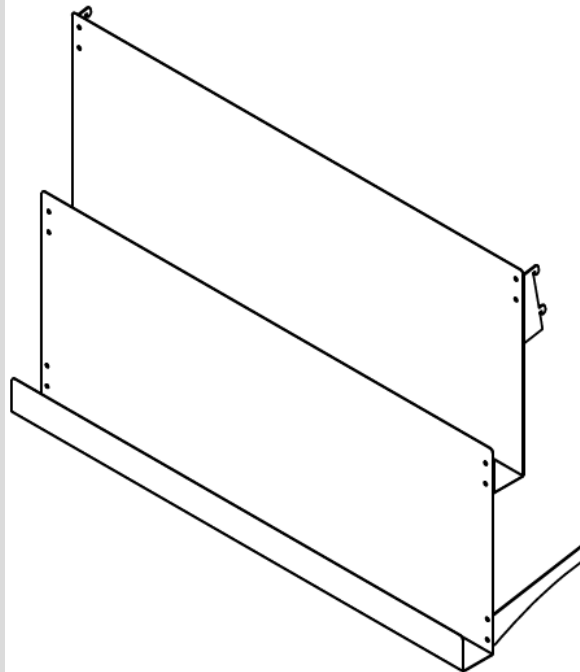
## Large Book Bin



900mmW x 160mmH  
x 160mmD (at top) x  
220mm (at base).

Available with an  
acrylic front instead  
of a metal front.

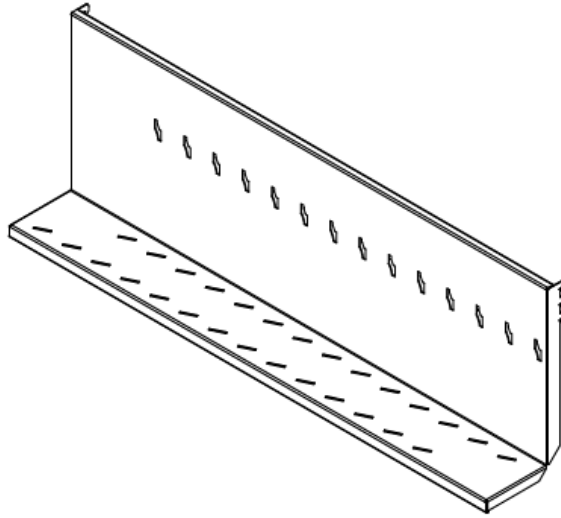
## 2 Tier Magazine Display



900mmW x 625mmH  
x 250mmD



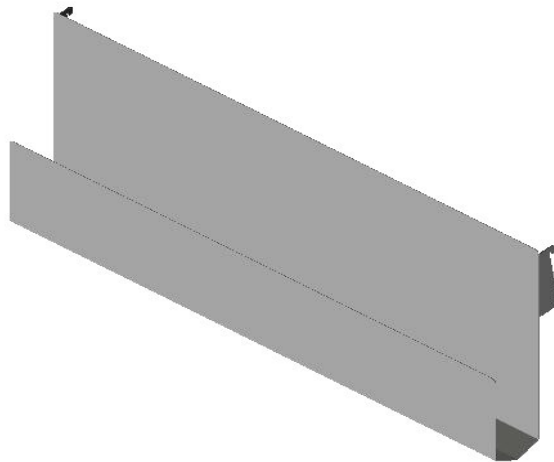
## Lindfield Magazine Display Shelf



900mmW x 140mmD  
x 280mmH

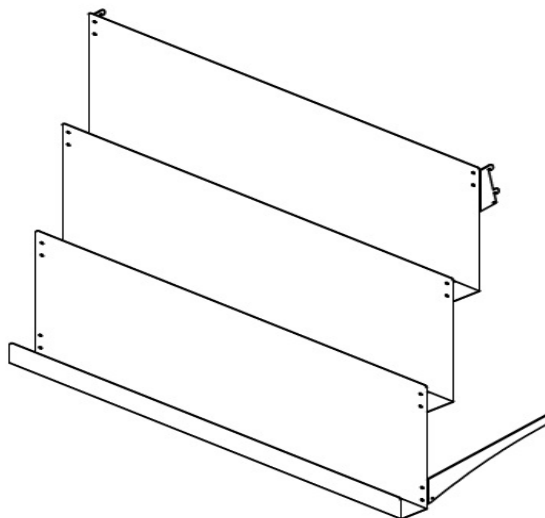
Note: Acrylic Dividers  
sit in slots to allow  
for 14 magazine  
display slots

## Newspaper Display Shelf



900mmW x 370mmH  
x 80mmD

## 3 Tier Magazine Display



890mmW x 910mmH  
x 350mmD



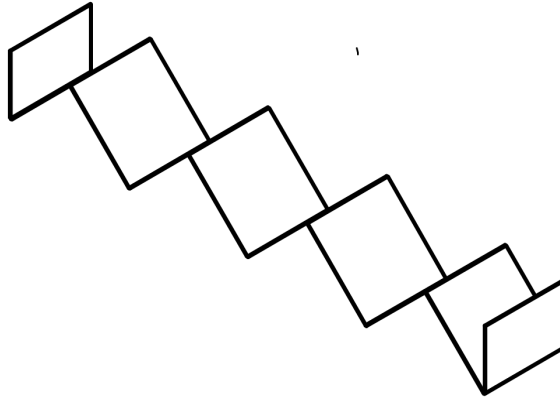
## File Shelf



900mmW x 300mmD  
x 190mmH

Acrylic dividers are inserted into slots to create divisions on the shelf.

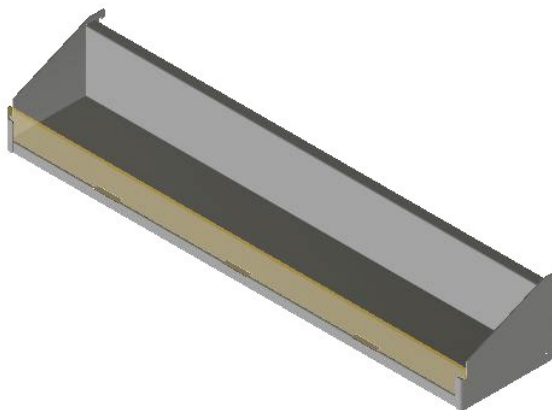
## Zig Zag Insert, Universal



900mmW x 150mmD  
x 108mmH.

Suits any flat shelf

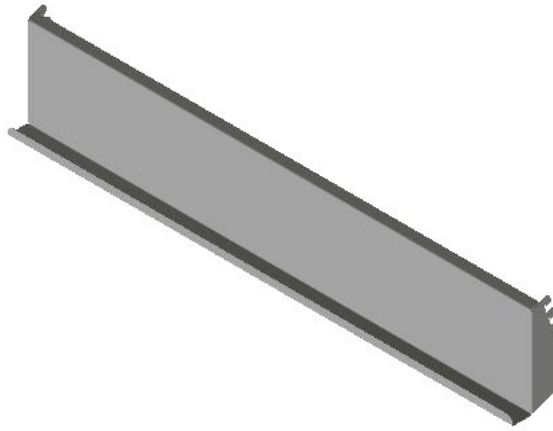
## CD Shelf with Acrylic Front



900mmW x 140mmD  
x 127mmH

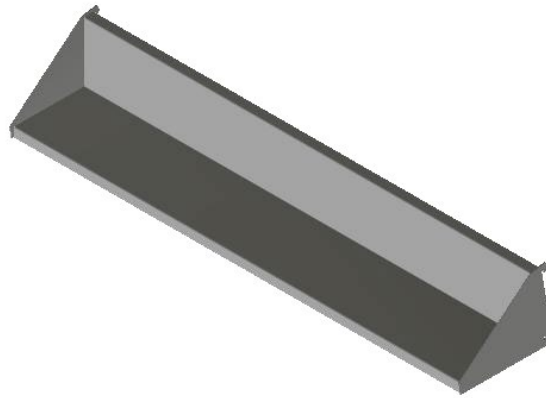


## CD Sloping Display



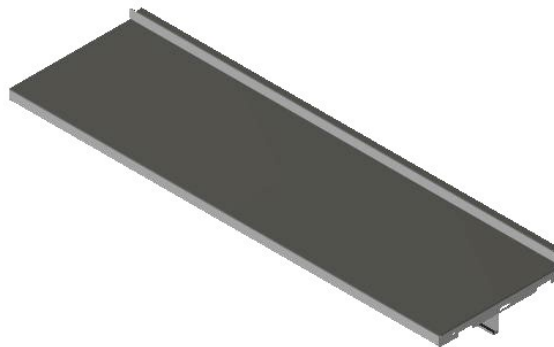
900mmW x 36mmD x  
160mmH

## CD/DVD Tilted Shelf



900mmW x 185mmD  
x 150mmH

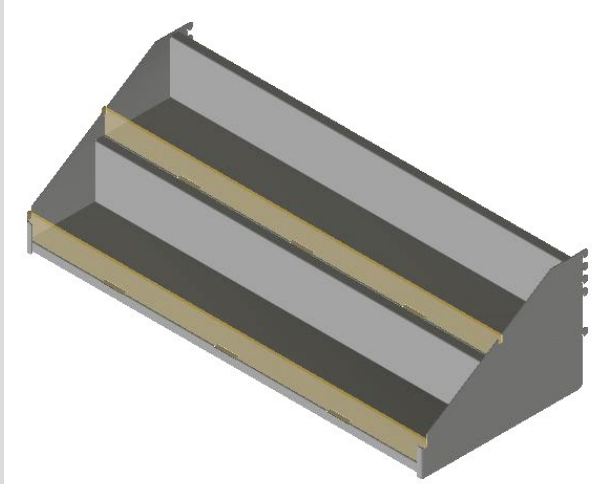
## Polybag Shelf



900mmW x 250mmD  
Includes rail  
underneath shelf to  
store polybags with  
hooks.

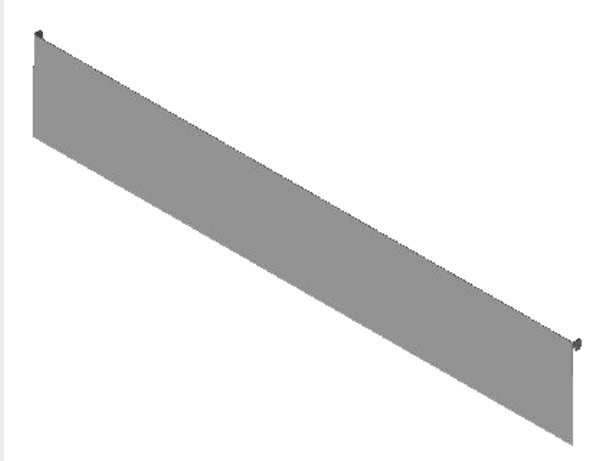


CD/DVD 2 Tier Flip Shelf



900mmW x 375mmD  
x 260mmH

Shelf Highback Insert  
Universal



900mmW x 150mmH

Browser Bin

